



	.....	1
	.....	1
	.....	
1-1	.....	
1-1	.....	
1-	.....	
1-	.....	
1-	.....	
1-	.....	11
1-	.....	1
1-	.....	1
1-	.....	1
1-	.....	1
1-10	.....	1
1-11	.....	
1-1	.....	
1-1	.....	
1-1	.....	
1-1	.....	
1-1	.....	0
1-1	.....	
1-1	.....	
	.....	
	.....	
-1	.....	
-1	.....	
-	.....	0
-	.....	1
-	.....	
-	.....	
-	.....	
-	.....	
-	.....	1
-10	.....	
-11	.....	
-1	.....	
-1	.....	
-1	.....	1
-1	.....	
-1	.....	
-1	.....	
-1	.....	
	.....	0



[ 2014] 55

- 1.
- 2.
- 3.
- 4.

--

--

		1-1	1	1-1	1-1
		-1	1	-1	-1
		-1	1	-1	-1

1

I/O

C

/

Kei I C

2

1

/ /

Kei I C

MCU

/ /

2

6S (

)

/

3

120

4

20		10	0	
				1
				2
		10		3
				4
			5	

10

5

30

1



2

PCB

E

3

1



2

PCB

E

3

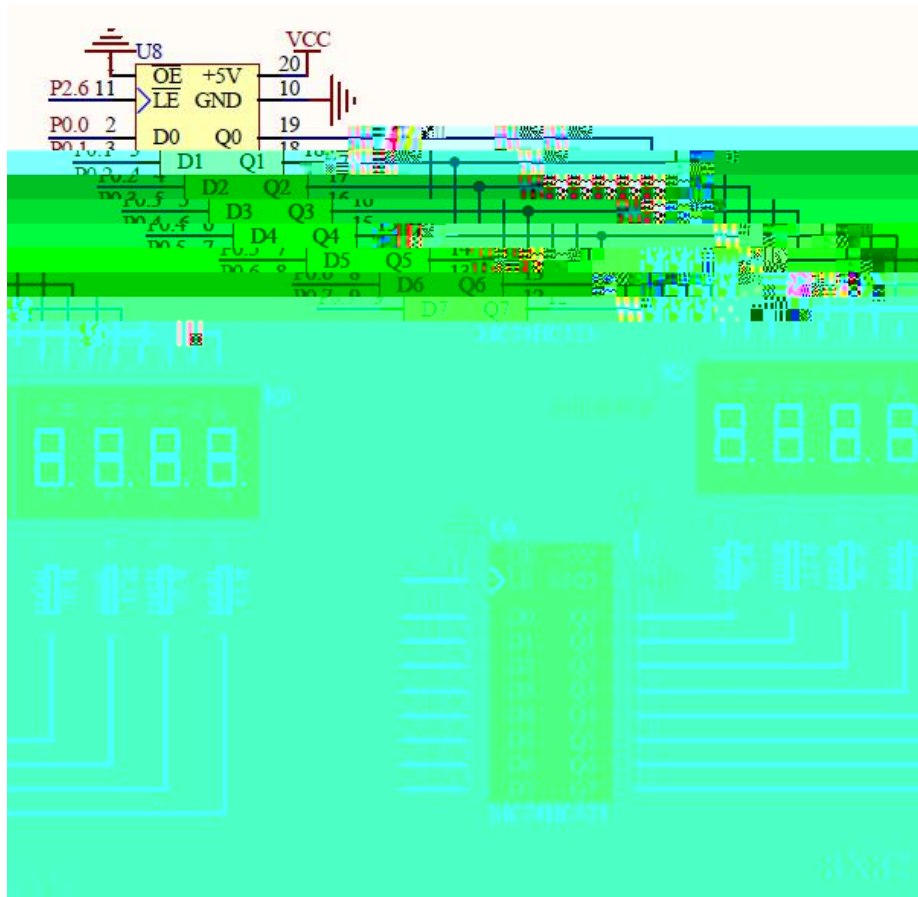








1



2

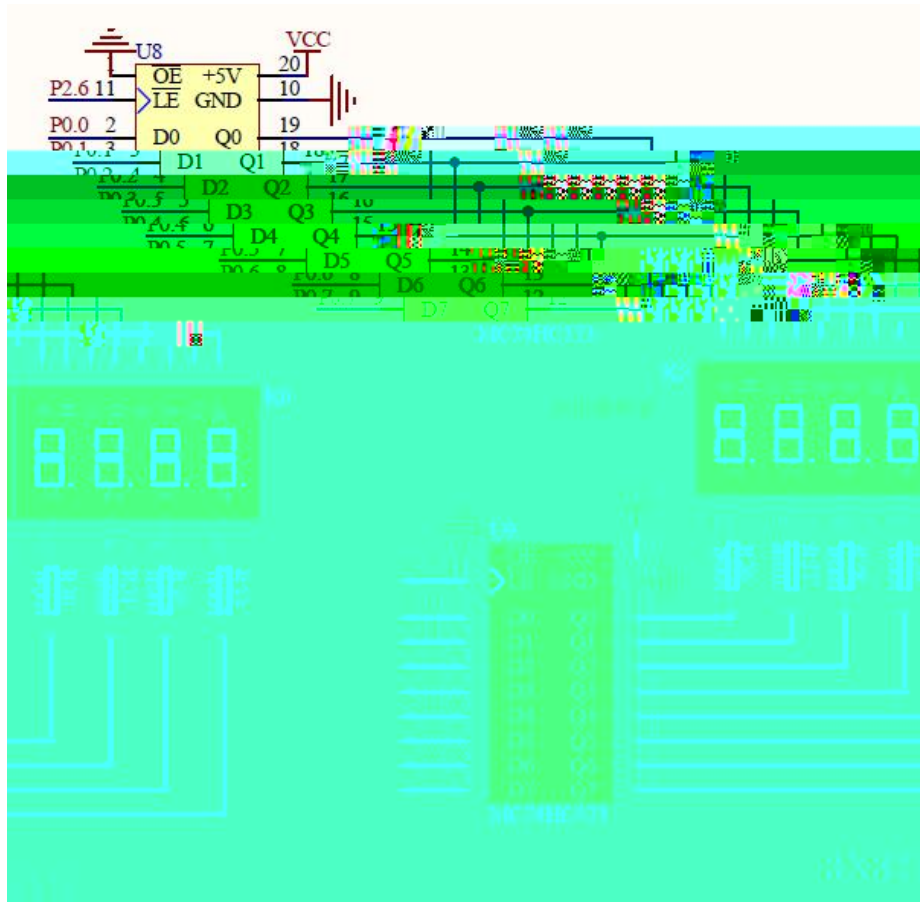
PCB

E

3



1



2

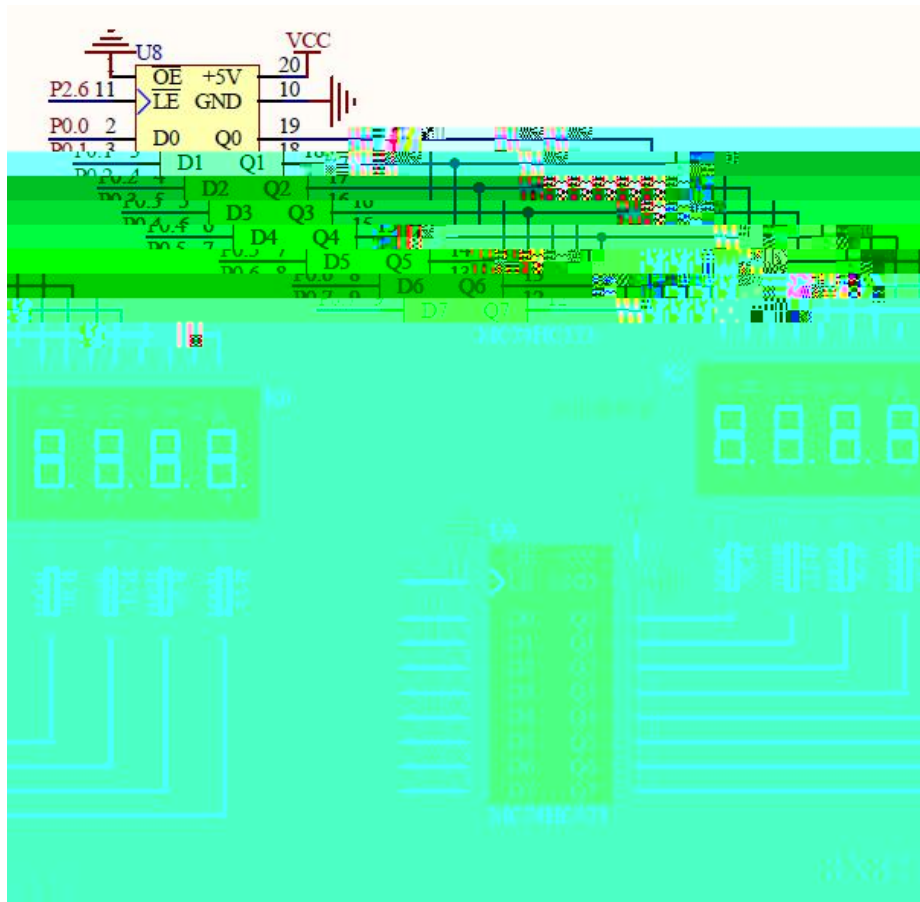
PCB

E

3



1



2

PCB

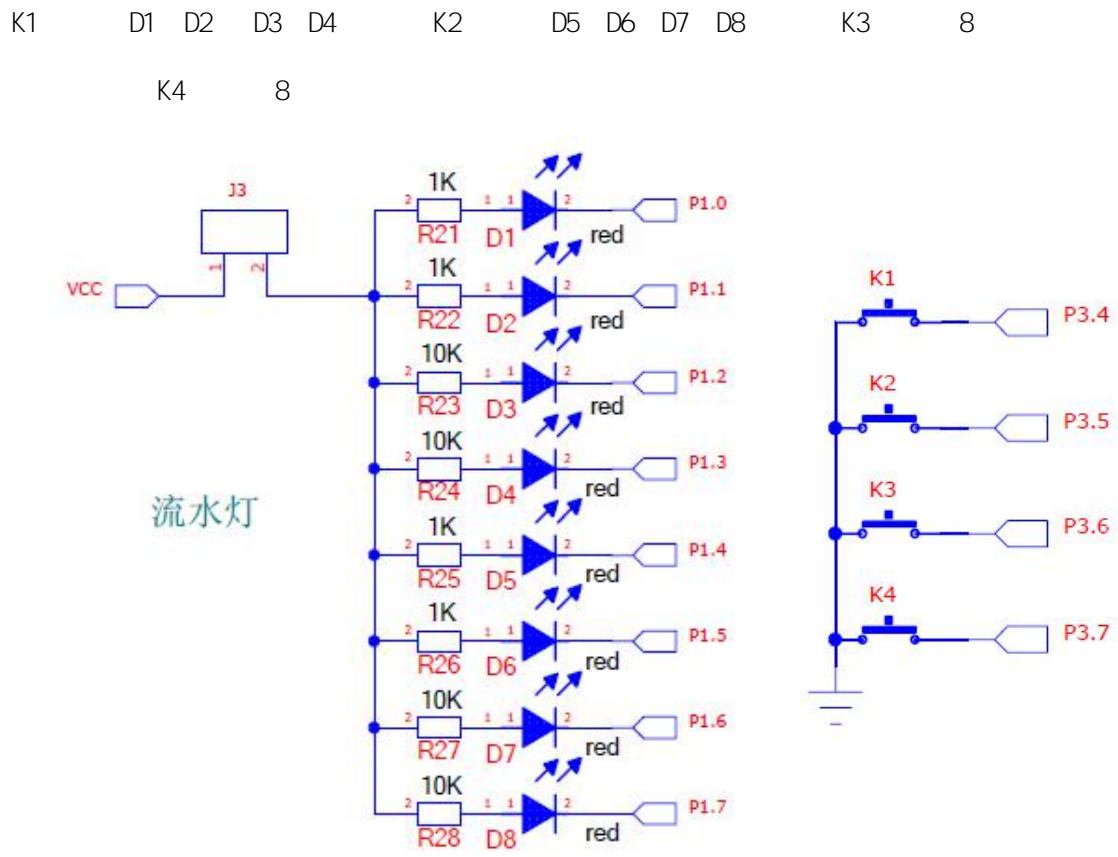
E

3





1



2

PCB  
E

3



1

K1 8



2

PCB  
E

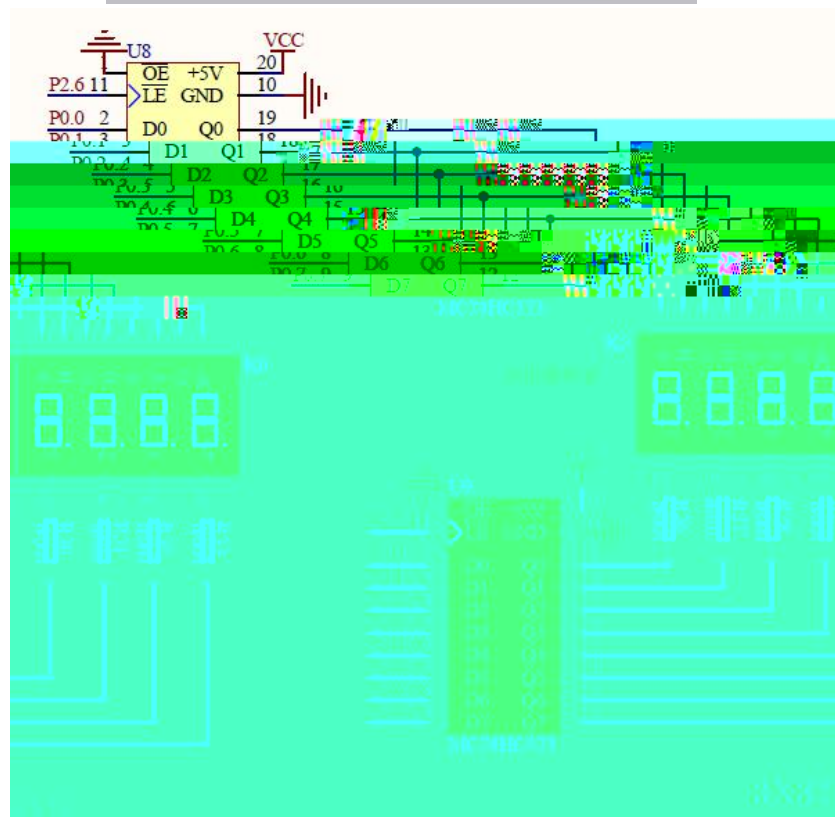
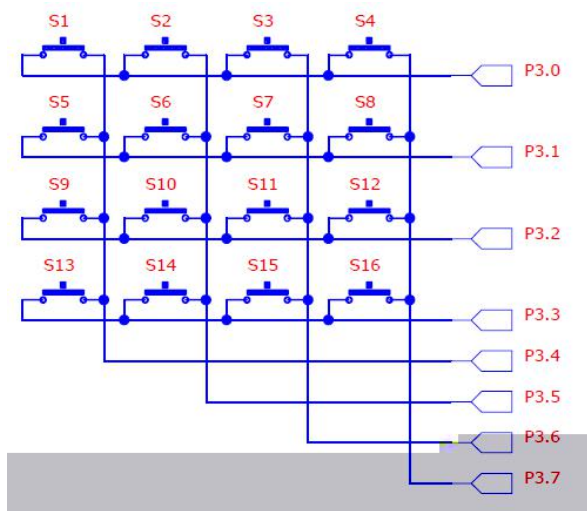
3



1

S1-S16

O-F



2

PCB

E

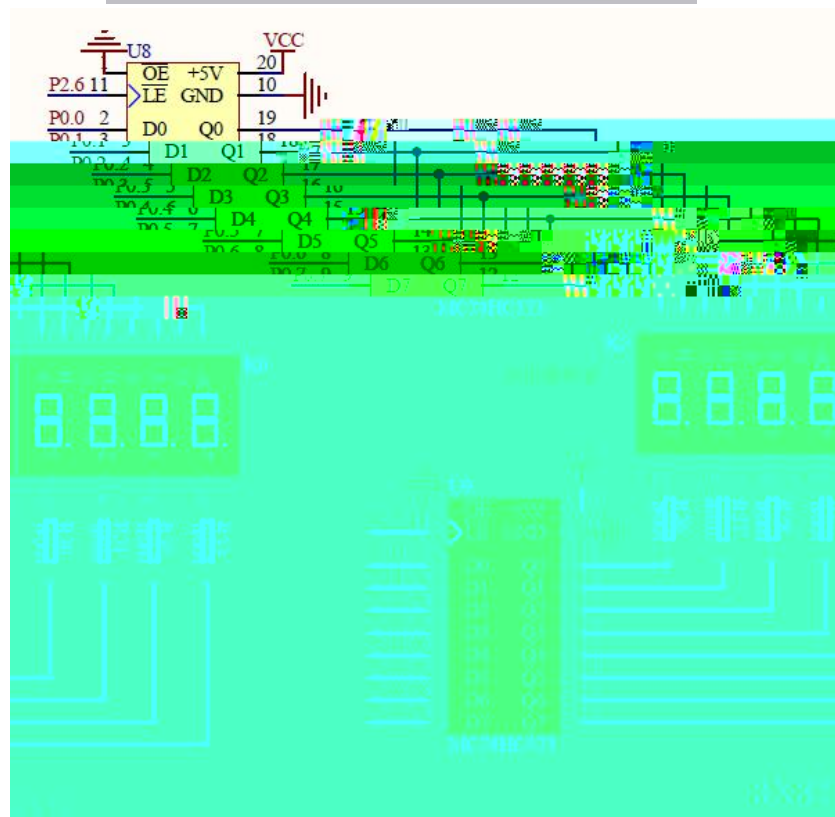
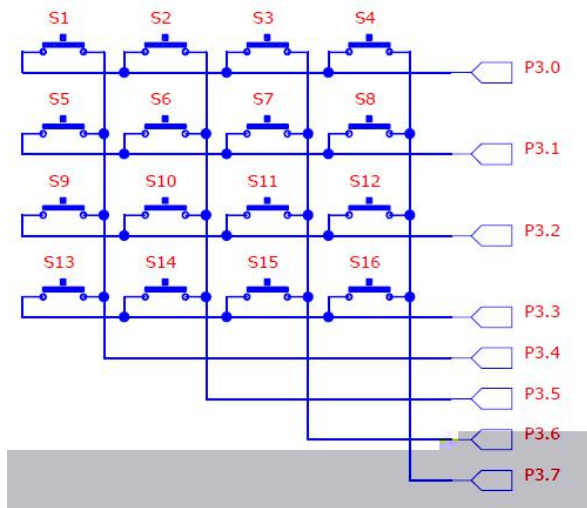
3

1

P3.2

9 0

1





2

PCB

E

3

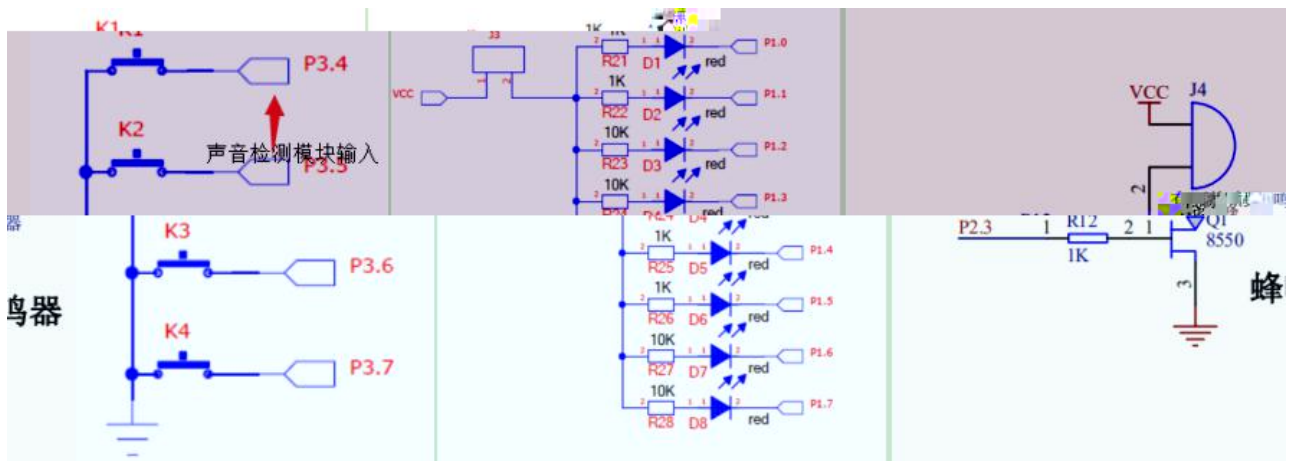
1

P3.4

1

P3.4

D1



1

2

PCB  
E

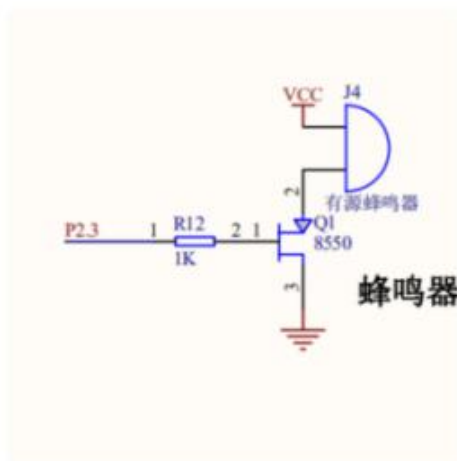
3

1

P3.7

1

P3.7



1

2

PCB  
E

3



1

1

K1

D1

K2

D2



1

2

PCB

E

3

1

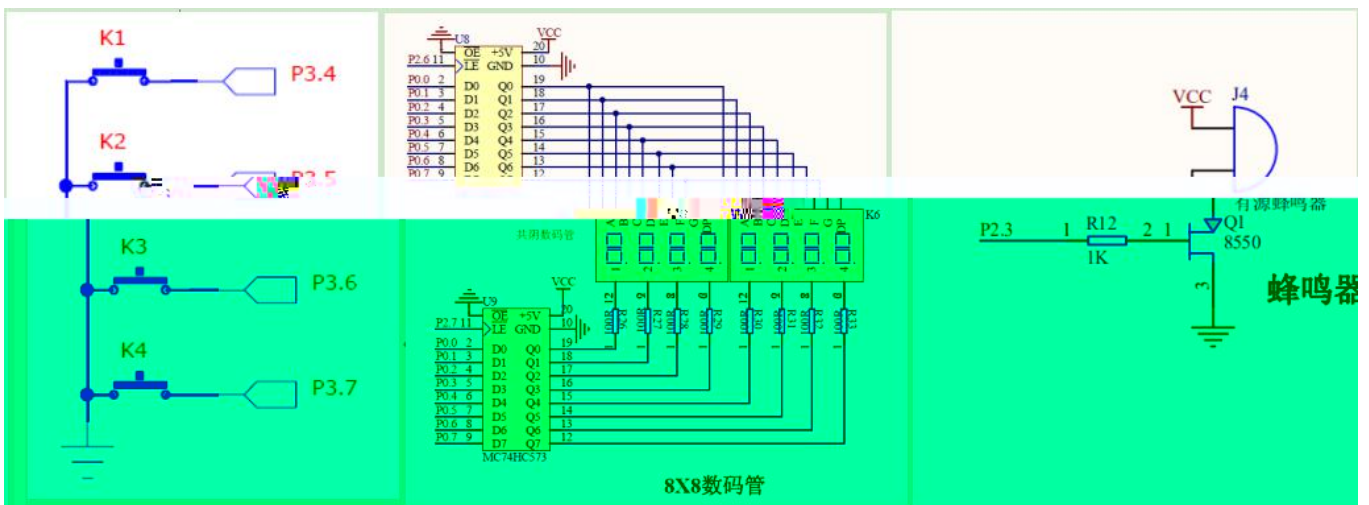
1

K1

K2 K3 K4

K1

" 1"



2

PCB

E

3



1

2



2

PCB

E

3



1

1

P3.6

P3.6



1

2

PCB

E

3

0



1

0.5S 0.5S



2

PCB

E

3



1

K1

D1-D4

K2

D5-D8



2

PCB

E

3



1

/ /

1

/ /

/ /

( )

/

1 0

20		10			0
			1		
		10	2		
			3		

			4	
			5	
30		10		
		5		
		5		
		10		
50		5		
		5	1 2	PCB
		10		
		15	1 2 3	
		15		

5

18



1



2

3



1



2

3

1



2

3

1



2

3



1



2



3





1

1	VBAT	VDD	64
2	PC13/ANT1	VSS	63
3	PC14/OSC32	PB9/TIM4_CH4/SDIO_D5	62
4	PC15/OSC32	PB8/TIM4_CH3/SDIO_D4	61
5	PD0/OSCIN	PA7/OSCOUT	60
6	PD1/OSCOUT	PD7/I2C1_SCL/PA7/TIM4_CH2	59
7	NRES	PB6/I2C1_SCL/TIM4_CH1	58
8	PC0/ADC10	PB5/I2C1_SMBA/SPI3_MOSI/I2S3_SD	57
9	PC1/ADC11	PB4/JNTRST/SPI3_MISO	56
10	PC2/ADC12	PB3/JTDO/SPI3_SCK/I2S3_CK	55
11	PC3/ADC13	PC2/U5_RX/TIM3_ETR/SDIO_CMD	54
12	VSSA	PC12/U5_TX/SDIO_CK	53
13	VDDA	PC11/U4_RX/SDIO_D3	52
14	PA0/WKUP/ADC0/TIM2_CH1_ETR/TIM5_CH1/TIM8_ETR	PC10/U4_TX/SDIO_D2	51
15	PA1/ADC1/TIM2_CH2/TIM5_CH2	PA15/JTDI/SPI3_NSS/I2S3_WS	50
16	PA2/U2_TX/ADC2/TIM2_CH3/TIM5_CH3	PA14/JTCK/SWCLK	49
17	PA3/U2_RX/ADC3/TIM2_CH4/TIM5_CH4	VDD	48
18	PA4	VDD	47
19	PA5	VDD	46
20	PA6	VDD	45
21	PA7	VDD	44
22	PA8	VDD	43
23	PA9	VDD	42
24	PA10	VDD	41
25	PA11	VDD	40
26	PA12	VDD	39
27	PA13	VDD	38
28	PA14	VDD	37
29	PA15	VDD	36
30	PA16	VDD	35
31	PA17	VDD	34
32	PA18	VDD	33
33	PA19	VDD	32
34	PA20	VDD	31
35	PA21	VDD	30
36	PA22	VDD	29
37	PA23	VDD	28
38	PA24	VDD	27
39	PA25	VDD	26
40	PA26	VDD	25
41	PA27	VDD	24
42	PA28	VDD	23
43	PA29	VDD	22
44	PA30	VDD	21
45	PA31	VDD	20
46	PA32	VDD	19
47	PA33	VDD	18
48	PA34	VDD	17
49	PA35	VDD	16
50	PA36	VDD	15
51	PA37	VDD	14
52	PA38	VDD	13
53	PA39	VDD	12
54	PA40	VDD	11
55	PA41	VDD	10
56	PA42	VDD	9
57	PA43	VDD	8
58	PA44	VDD	7
59	PA45	VDD	6
60	PA46	VDD	5
61	PA47	VDD	4
62	PA48	VDD	3
63	PA49	VDD	2
64	PA50	VDD	1

2

3



1



2

3

1

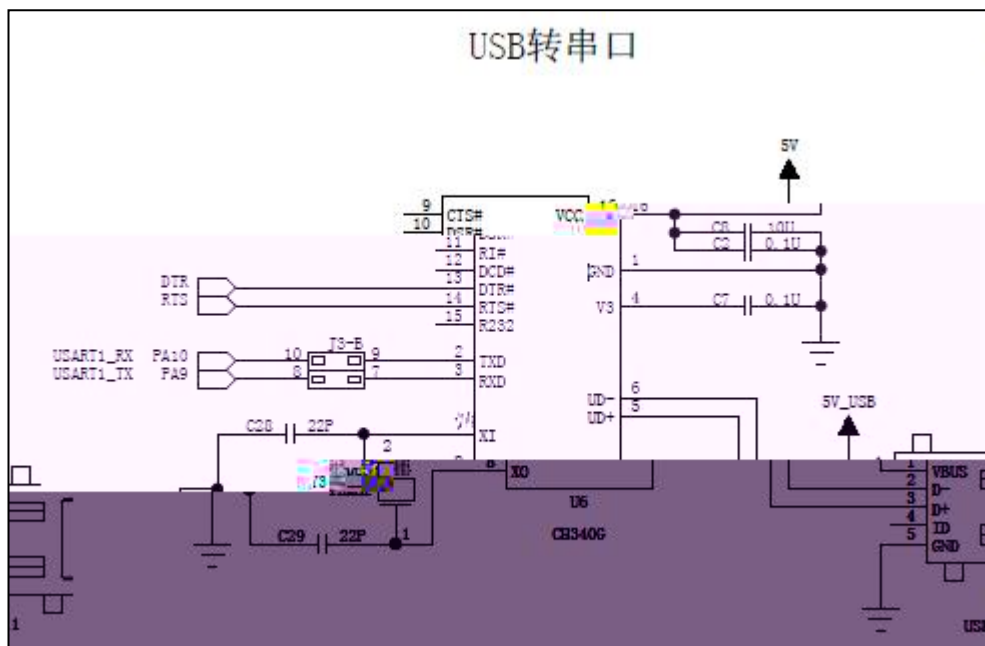
1	VBAT	VDD	64
2	PC13/ANT1	VSS	63
3	PC14/OSC32	PB9/TIM4_CH4/SDIO_D5	62
4	PC15/OSC32	PB8/TIM4_CH3/SDIO_D4	61
5	PD0/OSCIN	PA7/I2C1_SDA	59
6	PD1/OSCOUT	PA6/I2C1_SCL	58
7	NFS	PB6/I2C1_SCL/TIM4_CH1	57
8	PC0 ADC10	PB5/I2C1_SMBA/SPI3_MOSI/I2S3_SD	56
9	PC1 ADC11	PB4/JNTRST/SPI3_MISO	55
10	PC2 ADC12	PB3/JTDO/SPI3_SCK/I2S3_CK	54
11	PC3 ADC13	PC2 U5_RX/TIM3_ETR/SDIO_CMD	53
12	VSSA	PC12 U5_TX/SDIO_CK	52
13	VDDA	PC11 U4_RX/SDIO_D3	51
14	PA0 WKUP ADC0/TIM2_CH1_ETR/TIM5_CH1/TIM8_ETR	PC10 U4_TX/SDIO_D2	50
15	PA1 ADC11_M2/CH21_M5/CH2	PA15/JTDI/SPI3_NSS/I2S3_WS	49
16	PA2 U2_TX/ADC2/TIM2_CH3/TIM5_CH3	PA14/JTCK/SWCLK	48
17	PA3 U2_RX/ADC3/TIM2_CH4/TIM5_CH4	VDD	47
18	PA4		46
19	PA5		45
20	PA6		44
21	PA7		43
22	PA8		42
23	PA9		41
24	PA10		40
25	PA11		39
26	PA12		38
27	PA13		37
28	PA14		36
29	PA15		35
30	PA16		34
31	PA17		33
32	PA18		32
33	PA19		31
34	PA20		30
35	PA21		29
36	PA22		28
37	PA23		27
38	PA24		26
39	PA25		25
40	PA26		24
41	PA27		23
42	PA28		22
43	PA29		21
44	PA30		20
45	PA31		19
46	PA32		18
47	PA33		17
48	PA34		16
49	PA35		15
50	PA36		14
51	PA37		13
52	PA38		12
53	PA39		11
54	PA40		10
55	PA41		9
56	PA42		8
57	PA43		7
58	PA44		6
59	PA45		5
60	PA46		4
61	PA47		3
62	PA48		2
63	PA49		1
64	PA50		0

2

3



1

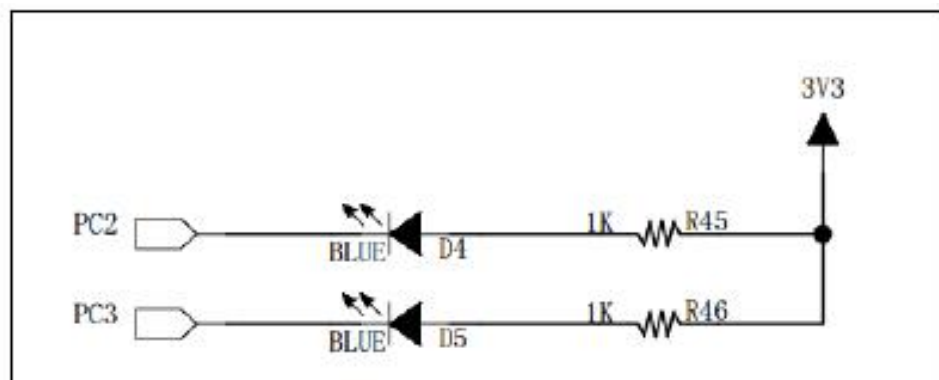
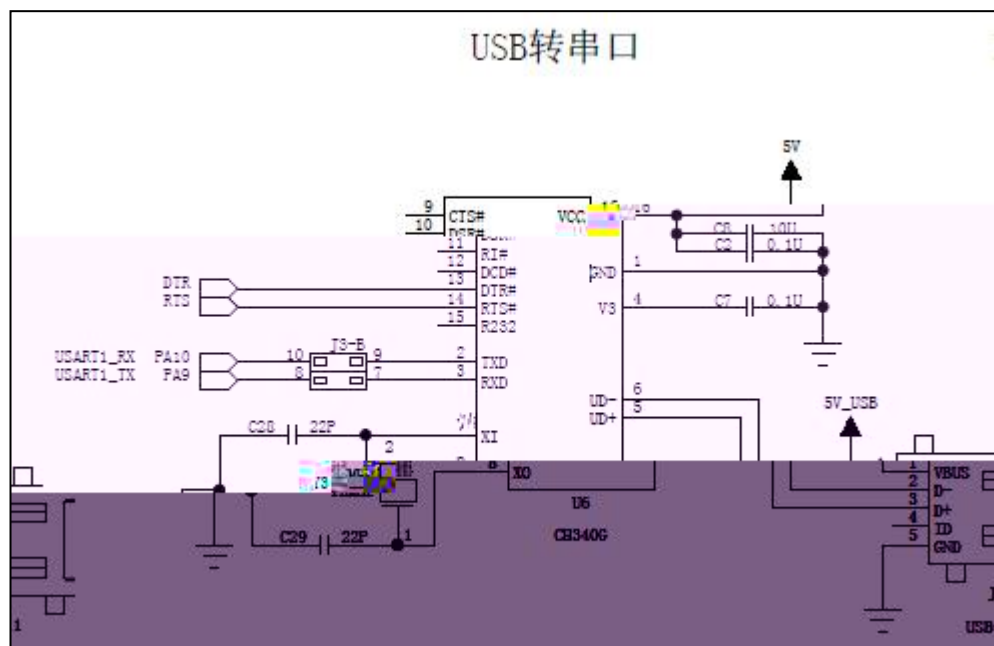


2

3

-

1



2



3

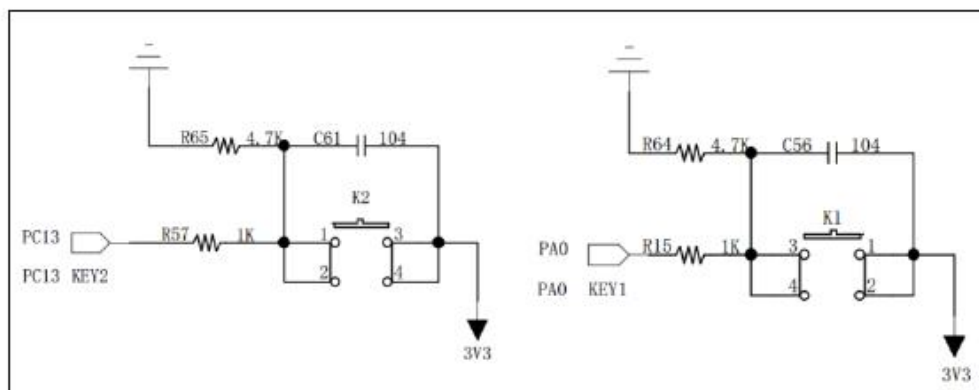
-

1

2



1

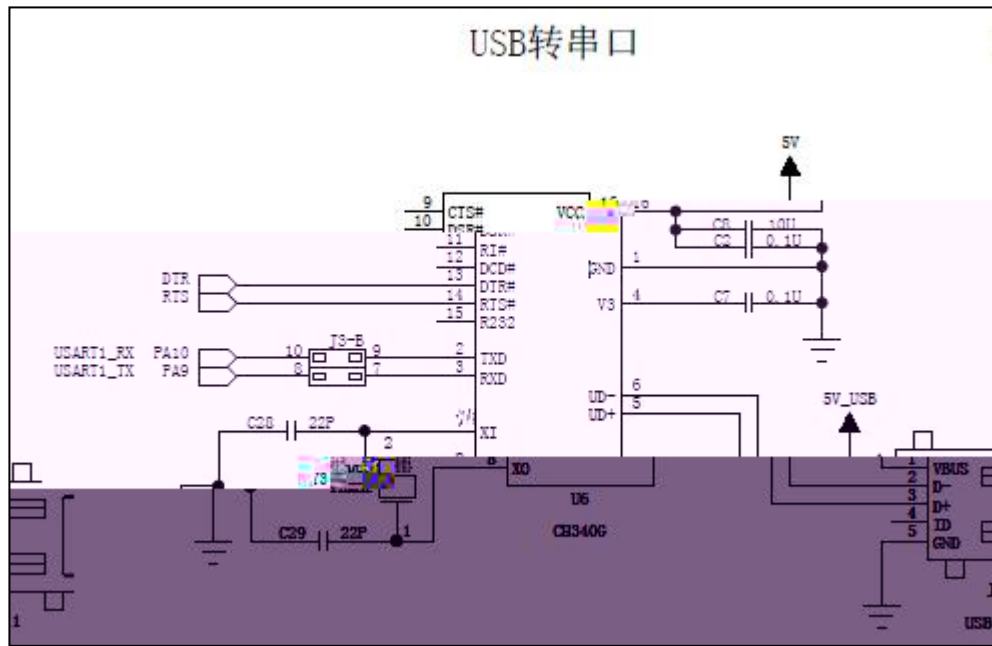


2

3

-

1

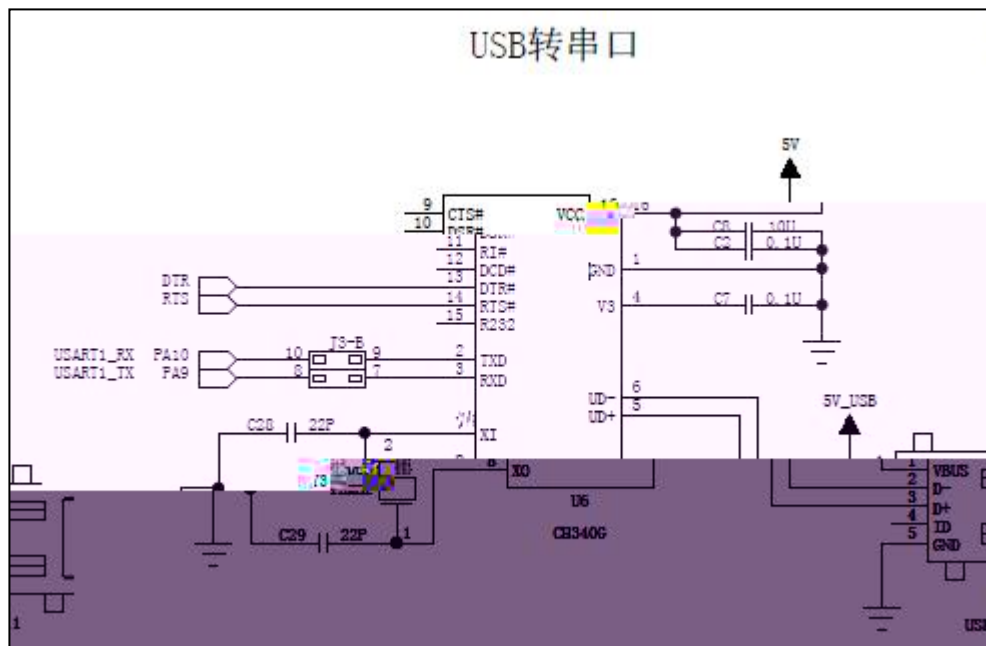


2

3

-

1



2



3

-



2

3

-

1



2

3

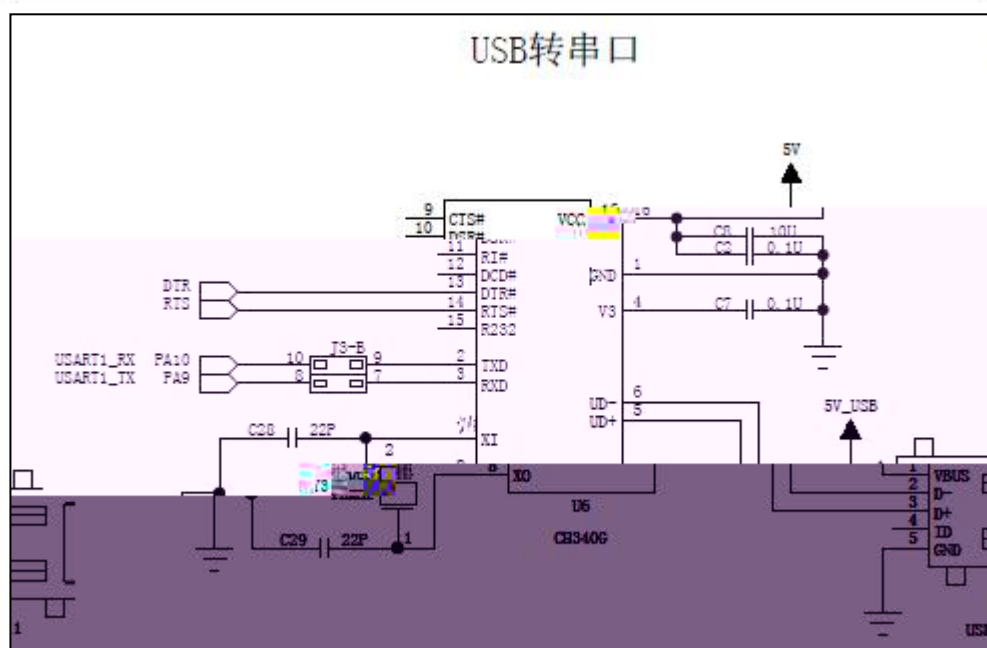
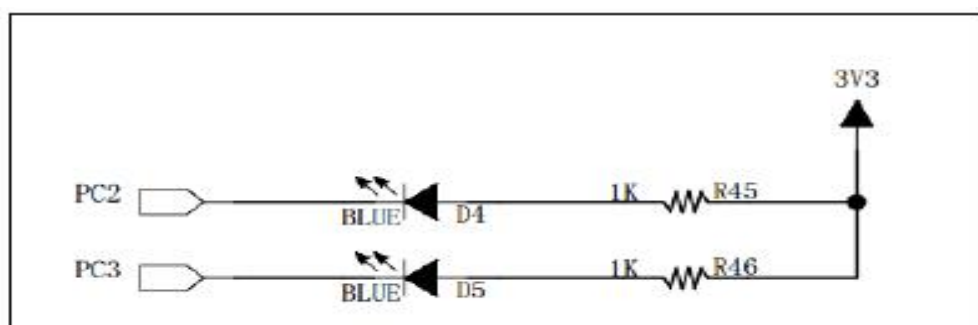


2

3

-

1



2

3

-



1

1

/ /

.0

/ /

( )

/

1 0

20		10			0	
			6			
			7			
		10	8			
			9			

			10	
30				
		10		
		10		
50				
		10		

5

18

1  
2

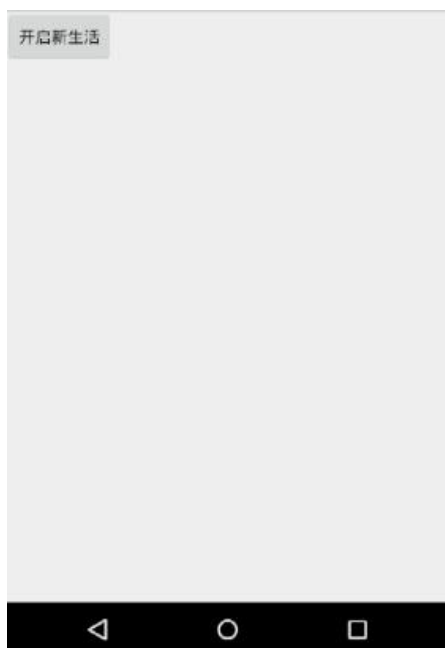
20sp

RGB #FF0000



2

1

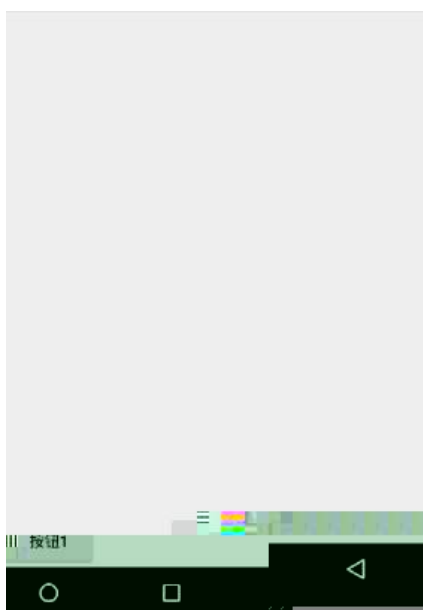


1

2

1

2

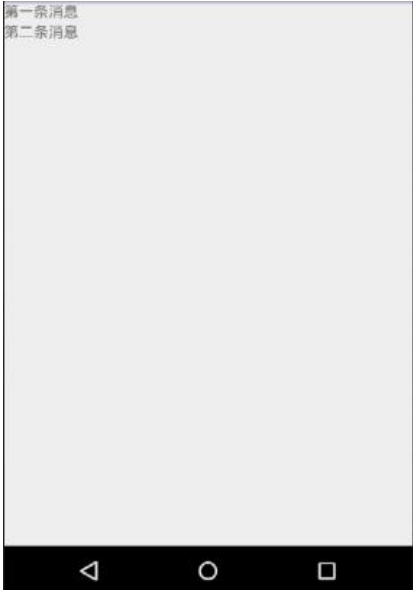


3

:

TextView

2  
1



1

2



2

1

2





1

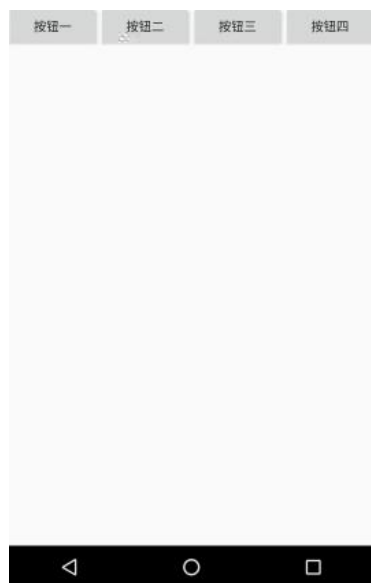
1 1 1 1

2

1

2

1 1 1 1



1

2

1



1

2

1

2



1

2

1

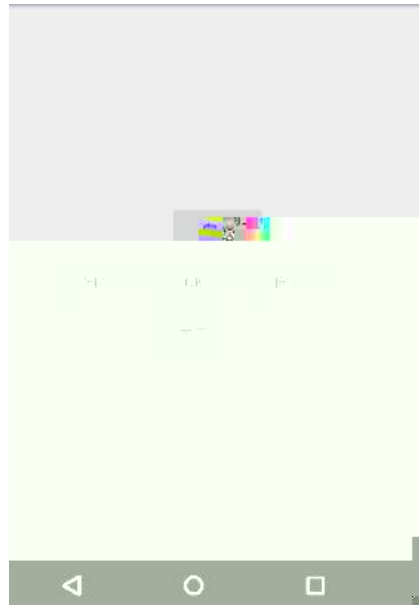
2



1

2

1



1

LED

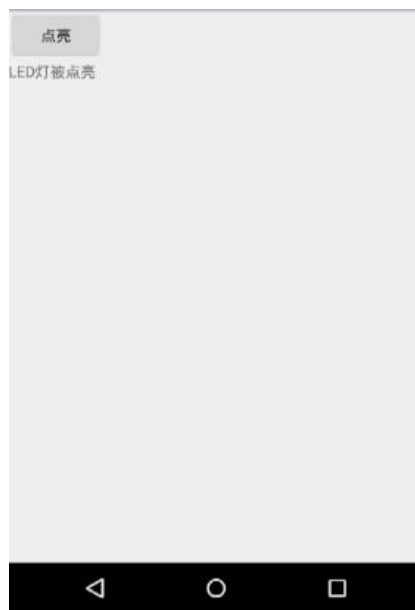
2

1

2

3

TextView LED



1

LED

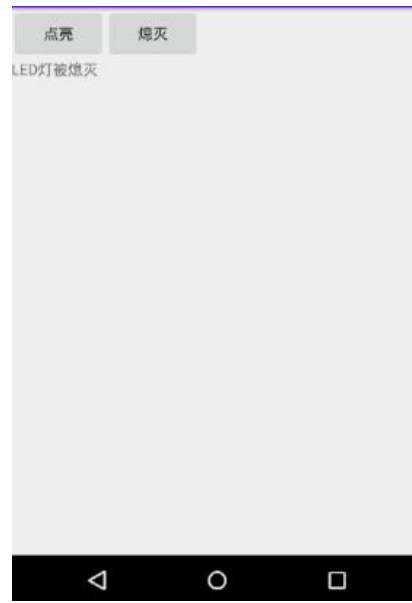
2

1

2

3

TextView LED



1

LED

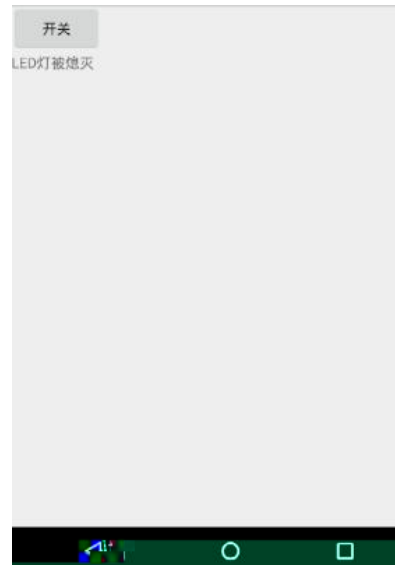
2

1

2

3

TextView LED





1

LED

2

1

2

3

4

TextVi ew



1

LED

2

1

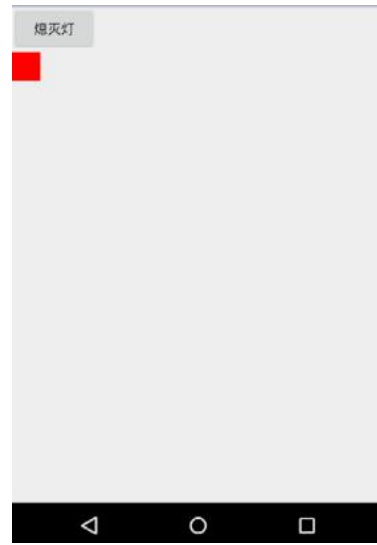
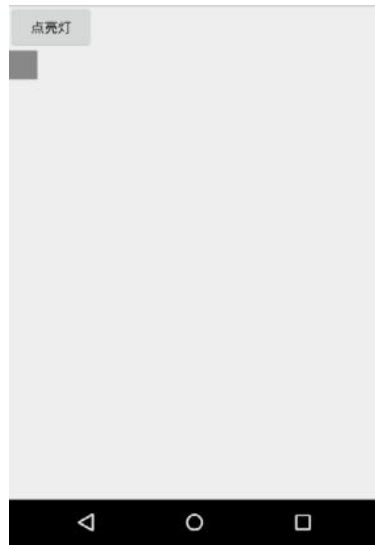
2

3

4

ImageView

30dp\*30dp



1

2

1

2



1

2

1

2

